

# 75G



<b>Engine</b>		<b>75G</b>	
Manufacturer and Model	Yanmar 4TNV98C		
Non-Road Emission Standard	EPA Final Tier 4/EU Stage IV		
Net Power (ISO 9249)	42.4 kW (56.9 hp) at 2,000 rpm		
Cylinders	4		
Displacement	3.3 L (202 cu. in.)		
Aspiration	Natural		
Off-Level Capacity	70% (35 deg.)		
<b>Cooling</b>			
Variable-speed fan; viscous clutch			
<b>Powertrain</b>			
2-speed propel with automatic shift			
<b>Maximum Travel Speed</b>			
Low	3.1 km/h (1.9 mph)		
High	5.0 km/h (3.1 mph)		
Drawbar Pull	6650 kgf (14,661 lb.)		
<b>Hydraulics</b>			
Open center, load sensing			
<b>Main Pumps</b>	3 variable-displacement axial-piston pumps		
Maximum Pump Flow	2 x 72 + 56 L/m (2 x 19 + 15 gpm)		
<b>Pilot Pump</b>	1 gear		
Maximum Rated Flow	20 L/m (5.3 gpm)		
System Relief Pressure	3900 kPa (566 psi)		
<b>System Operating Pressure</b>			
Implement Circuits	26 000 kPa (3,771 psi)		
Travel Circuits	31 400 kPa (4,554 psi)		
Swing Circuits	25 200 kPa (3,655 psi)		
<b>Controls</b>	Pilot levers, short stroke, low effort; hydraulic pilot controls with shutoff lever		
<b>Cylinders</b>			
Heat-treated, chrome-plated, polished cylinder rods; hardened steel (replaceable bushings) pivot pins			
	<i>Bore</i>	<i>Rod Diameter</i>	<i>Stroke</i>
<b>Boom (1)</b>	115 mm (4.5 in.)	65 mm (2.6 in.)	885 mm (34.8 in.)
<b>Arm (1)</b>	95 mm (3.7 in.)	60 mm (2.4 in.)	900 mm (35.4 in.)
<b>Bucket (1)</b>	85 mm (3.3 in.)	55 mm (2.2 in.)	730 mm (28.7 in.)
<b>Electrical</b>			
Batteries	2 x 12 volt		
Battery Capacity	2 x 450 CCA		
Alternator Rating	50 amp		
<b>Work Lights</b>	2 halogen: 1 mounted on boom and 1 mounted on frame		
<b>Undercarriage</b>			
<b>Rollers (each side)</b>			
Carrier	1		
Track	5		
Shoes (each side)	40		
<b>Track</b>			
Adjustment	Hydraulic		
Chain	Sealed and lubricated		
<b>Swing Mechanism</b>			
Swing Speed	10.5 rpm		
Swing Torque	16 600 Nm (12,244 lb.-ft.)		



Ground Pressure		75G
450-mm (18 in.) Rubber Crawler Pads		39 kPa (5.6 psi)
450-mm (18 in.) Continuous Rubber Belt		39 kPa (5.6 psi)
450-mm (18 in.) Triple Semi-Grouser Shoes		38 kPa (5.4 psi)
600-mm (24 in.) Triple Semi-Grouser Shoes		27 kPa (3.9 psi)

### Serviceability

Refill Capacities		
Fuel Tank		135 L (35.7 gal.)
Cooling System		9.7 L (2.6 gal.)
Engine Oil with Filter		12.3 L (3.2 gal.)
Hydraulic Tank		56 L (15 gal.)
Hydraulic System		103 L (27 gal.)
Propel Gearbox (each)		1.2 L (1.3 qt.)

### Operating Weights

With 0.31-m<sup>3</sup> (0.41 cu. yd.), 762-mm (30 in.), 313-kg (691 lb.) Bucket; 2.12-m (6 ft. 11 in.) Arm; 1305-kg (2,877 lb.) Counterweight; 2470-mm (8 ft. 1 in.) Blade; Full Fuel Tank; and 75-kg (165 lb.) Operator

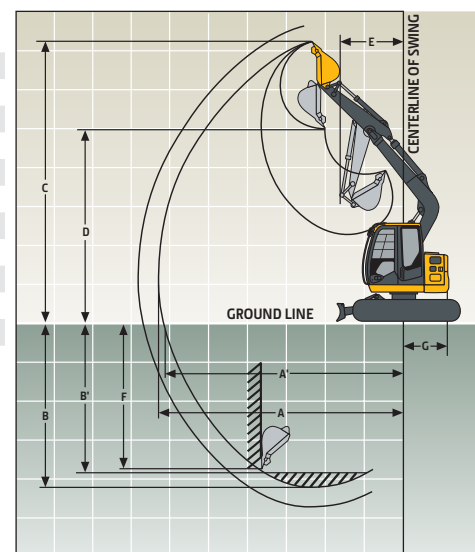
450-mm (18 in.) Rubber Crawler Pads	8143 kg (17,952 lb.)
450-mm (18 in.) Triple Semi-Grouser Shoes	7882 kg (17,377 lb.)
600-mm (24 in.) Triple Semi-Grouser Shoes	8265 kg (18,221 lb.)
450-mm (18 in.) Continuous Rubber Belt	7898 kg (17,412 lb.)

### Optional Components

Undercarriage (with the following)	
450-mm (18 in.) Rubber Crawler Pads	2903 kg (6,400 lb.)
450-mm (18 in.) Continuous Rubber Belt	2867 kg (6,321 lb.)
450-mm (18 in.) Triple Semi-Grouser Shoes	2851 kg (6,285 lb.)
600-mm (24 in.) Triple Semi-Grouser Shoes	3025 kg (6,669 lb.)
1-Piece Boom (with arm cylinder)	
Arm with Bucket Cylinder and Linkage	
1.62 m (5 ft. 4 in.)	238 kg (525 lb.)
2.12 m (6 ft. 11 in.)	276 kg (608 lb.)
Boom Lift Cylinders (2), Total Weight	
Counterweight, Standard	
	178 kg (392 lb.)
	1305 kg (2,877 lb.)

### Operating Dimensions

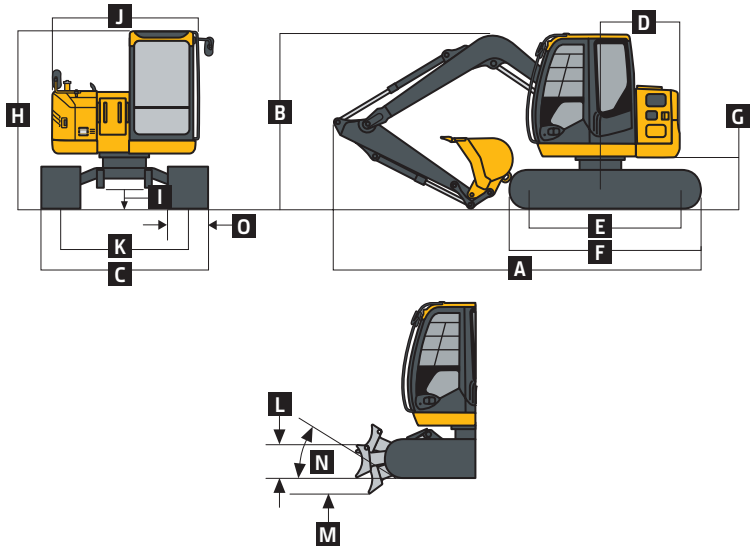
	Arm Length 1.62 m (5 ft. 4 in.)	Arm Length 2.12 m (6 ft. 11 in.)
Arm Digging Force (ISO)	35.5 kN (7,981 lb.)	30.7 kN (6,902 lb.)
Bucket Digging Force (ISO)	46.6 kN (10,476 lb.)	46.6 kN (10,476 lb.)
<b>A</b> Maximum Reach	6.43 m (21 ft. 1 in.)	6.92 m (22 ft. 8 in.)
<b>A'</b> Maximum Reach at Ground Level	6.26 m (20 ft. 6 in.)	6.76 m (22 ft. 2 in.)
<b>B</b> Maximum Digging Depth	4.11 m (13 ft. 6 in.)	4.61 m (15 ft. 1 in.)
<b>B'</b> Maximum Digging Depth at 2.44-m (8 ft.) Flat Bottom	3.75 m (12 ft. 4 in.)	4.32 m (14 ft. 2 in.)
<b>C</b> Maximum Cutting Height	7.21 m (23 ft. 8 in.)	7.61 m (25 ft. 0 in.)
<b>D</b> Maximum Dumping Height	5.12 m (16 ft. 10 in.)	5.51 m (18 ft. 1 in.)
<b>E</b> Minimum Swing Radius	1.81 m (5 ft. 11 in.)	2.17 m (7 ft. 1 in.)
<b>F</b> Maximum Vertical Wall	3.67 m (12 ft. 0 in.)	4.22 m (13 ft. 10 in.)
<b>G</b> Tail Swing Radius	1.29 m (4 ft. 3 in.)	1.29 m (4 ft. 3 in.)



## Machine Dimensions

## 75G

	Arm Length 1.62 m (5 ft. 4 in.)	Arm Length 2.12 m (6 ft. 11 in.)
<b>A</b> Overall Length	6.30 m (20 ft. 8 in.)	6.37 m (20 ft. 11 in.)
<b>B</b> Overall Height	2.69 m (8 ft. 10 in.)	2.69 m (8 ft. 10 in.)
<b>C</b> Undercarriage Width		
With 450-mm (18 in.) Shoes	2.32 m (7 ft. 7 in.)	
With 600-mm (24 in.) Shoes	2.47 m (8 ft. 1 in.)	
<b>D</b> Rear-End Length/Swing Radius	1.29 m (4 ft. 3 in.)	
<b>E</b> Distance Between Idler/Sprocket Centerline	2.29 m (7 ft. 6 in.)	
<b>F</b> Undercarriage Length	2.92 m (9 ft. 7 in.)	
<b>G</b> Counterweight Clearance	0.73 m (29 in.)	
<b>H</b> Cab Height	2.69 m (8 ft. 10 in.)	
<b>I</b> Ground Clearance	360 mm (14 in.)	
<b>J</b> Upperstructure Width	2.32 m (7 ft. 7 in.)	
<b>K</b> Gauge Width	1.87 m (6 ft. 2 in.)	
<b>L</b> Blade Lift Height	360 mm (14 in.)	
Blade Height	480 mm (19 in.)	
Blade Width		
With 450-mm (18 in.) Shoes	2320 mm (7 ft. 9 in.)	
With 600-mm (24 in.) Shoes	2470 mm (8 ft. 1 in.)	
<b>M</b> Blade Cut Below Grade	300 mm (12 in.)	
<b>N</b> Blade Lift Angle	27 deg.	
<b>O</b> Track Width		
With 450-mm (18 in.) Shoes	0.45 m (18 in.)	
With 600-mm (24 in.) Shoes	0.60 m (24 in.)	



## Lift Capacities

**Boldface type** indicates hydraulically limited capacities; lightface type indicates stability-limited capacities, in kg (lb.). Ratings are at bucket lift hook, using standard counterweight, situated on firm, level, uniform supporting surface. Total load includes weight of cables, hook, etc. Figures do not exceed 87% of hydraulic capacity or 75% of weight needed to tip machine. All lift capacities are based on ISO 10567.

Load Point Height	1.5 m (5 ft.)		3.0 m (10 ft.)		4.5 m (15 ft.)		6.0 m (20 ft.)	
Horizontal Distance from Centerline of Rotation	Over Front	Over Side	Over Front	Over Side	Over Front	Over Side	Over Front	Over Side
<i>With 3.72-m (12 ft. 8 in.) boom, 1.62-m (5 ft. 4 in.) arm, 0.28-m<sup>3</sup> (0.37 cu. yd.) bucket, 450-mm (18 in.) rubber pads, and 2320-mm (7 ft. 9 in.) blade</i>								
4.5 m (15 ft.)			<b>1616</b> (3,562)	<b>1616</b> (3,562)				
3.0 m (10 ft.)			<b>2223</b> (4,901)	<b>2223</b> (4,901)	<b>1829</b> (4,032)	1605 (3,539)		
1.5 m (5 ft.)			<b>3192</b> (7,038)	2752 (6,067)	<b>2121</b> (4,675)	1538 (3,390)		
Ground Line			<b>3615</b> (7,969)	2635 (5,810)	<b>2327</b> (5,131)	1486 (3,275)		
-1.5 m (-5 ft.)	<b>4476</b> (9,867)	<b>4476</b> (9,867)	<b>3402</b> (7,500)	2634 (5,807)				
<i>With 3.72-m (12 ft. 8 in.) boom, 2.12-m (6 ft. 11 in.) arm, 0.28-m<sup>3</sup> (0.37 cu. yd.) bucket, 450-mm (18 in.) rubber pads, and 2320-mm (7 ft. 9 in.) blade</i>								
4.5 m (15 ft.)					<b>1475</b> (3,252)	<b>1475</b> (3,252)		
3.0 m (10 ft.)			<b>1834</b> (4,043)	<b>1834</b> (4,043)	<b>1613</b> (3,557)	<b>1613</b> (3,557)		
1.5 m (5 ft.)			<b>2864</b> (6,313)	2797 (6,167)	<b>1958</b> (4,317)	1541 (3,397)		
Ground Line			<b>3508</b> (7,734)	2629 (5,797)	<b>2248</b> (4,956)	1472 (3,246)		
-1.5 m (-5 ft.)	<b>3544</b> (7,813)	<b>3544</b> (7,813)	<b>3514</b> (7,746)	2594 (5,718)	<b>2252</b> (4,964)	1451 (3,199)		
-3.0 m (-10 ft.)	<b>5020</b> (11,068)	<b>5020</b> (11,068)	<b>2742</b> (6,044)	2663 (5,870)				
<i>With 3.72-m (12 ft. 8 in.) boom, 1.62-m (5 ft. 4 in.) arm, 0.28-m<sup>3</sup> (0.37 cu. yd.) bucket, 600-mm (24 in.) shoes, and 2470-mm (8 ft. 1 in.) blade</i>								
4.5 m (15 ft.)			<b>1616</b> (3,562)	<b>1616</b> (3,562)				
3.0 m (10 ft.)			<b>2223</b> (4,901)	<b>2223</b> (4,901)	<b>1829</b> (4,032)	1630 (3,594)		
1.5 m (5 ft.)			<b>3192</b> (7,038)	2796 (6,164)	<b>2121</b> (4,675)	1563 (3,446)		
Ground Line			<b>3615</b> (7,969)	2679 (5,906)	<b>2327</b> (5,131)	1510 (3,330)		
-1.5 m (-5 ft.)	<b>4476</b> (9,867)	<b>4476</b> (9,867)	<b>3402</b> (7,500)	2678 (5,903)				

**Lift Capacities (continued)**

**75G**

**Boldface type** indicates hydraulically limited capacities; lightface type indicates stability-limited capacities, in kg (lb.). Ratings are at bucket lift hook, using standard counterweight, situated on firm, level, uniform supporting surface. Total load includes weight of cables, hook, etc. Figures do not exceed 87% of hydraulic capacity or 75% of weight needed to tip machine. All lift capacities are based on ISO 10567.

Load Point Height	1.5 m (5 ft.)		3.0 m (10 ft.)		4.5 m (15 ft.)		6.0 m (20 ft.)	
Horizontal Distance from Centerline of Rotation	Over Front	Over Side	Over Front	Over Side	Over Front	Over Side	Over Front	Over Side

*With 3.72-m (12 ft. 8 in.) boom, 2.12-m (6 ft. 11 in.) arm, 0.28-m<sup>3</sup> (0.37 cu. yd.) bucket, 600-mm (24 in.) shoes, and 2470-mm (8 ft. 1 in.) blade*

4.5 m (15 ft.)					1475 <b>(3,252)</b>	1475 <b>(3,252)</b>		
3.0 m (10 ft.)			1834 <b>(4,043)</b>	1834 <b>(4,043)</b>	1613 <b>(3,557)</b>	1613 <b>(3,557)</b>		
1.5 m (5 ft.)			2864 <b>(6,313)</b>	2841 <b>(6,263)</b>	1958 <b>(4,317)</b>	1566 <b>(3,452)</b>		
Ground Line			3508 <b>(7,734)</b>	2673 <b>(5,893)</b>	2248 <b>(4,956)</b>	1497 <b>(3,301)</b>		
-1.5 m (-5 ft.)	3544 <b>(7,813)</b>	3544 <b>(7,813)</b>	3514 <b>(7,746)</b>	2637 <b>(5,814)</b>	2252 <b>(4,964)</b>	1476 <b>(3,254)</b>		
-3.0 m (-10 ft.)	5020 <b>(11,068)</b>	5020 <b>(11,068)</b>	2742 <b>(6,044)</b>	2707 <b>(5,967)</b>				

*With 3.72-m (12 ft. 8 in.) boom, 1.62-m (5 ft. 4 in.) arm, 0.28-m<sup>3</sup> (0.37 cu. yd.) bucket, 450-mm (18 in.) continuous rubber belt, and 2470-mm (8 ft. 1 in.) blade*

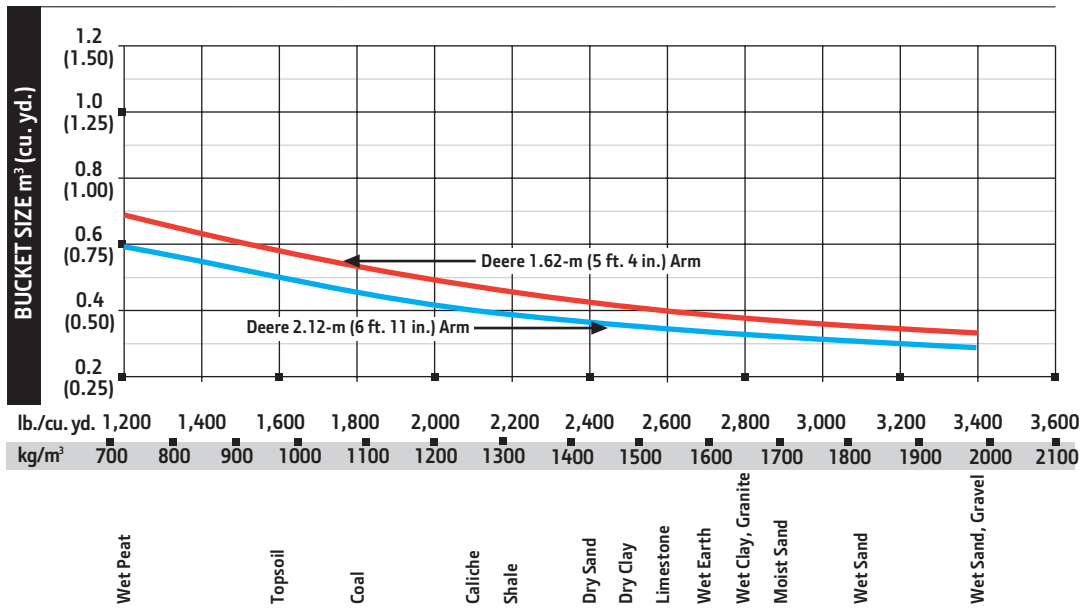
3.0 m (10 ft.)			2241 <b>(4,940)</b>	2241 <b>(4,940)</b>				
1.5 m (5 ft.)			3207 <b>(7,070)</b>	2608 <b>(5,750)</b>				
Ground Line			3620 <b>(7,980)</b>	2499 <b>(5,510)</b>	2327 <b>(5,130)</b>	1415 <b>(3,120)</b>		
-1.5 m (-5 ft.)	4527 <b>(9,980)</b>	4527 <b>(9,980)</b>	3393 <b>(7,480)</b>	2499 <b>(5,510)</b>				

**Buckets**

A full line of buckets is offered to meet a wide variety of applications. Replaceable cutting edges are available through John Deere Parts. Optional side cutters add 150 mm (6 in.) to bucket widths.

Type Bucket	Bucket Width		Bucket Capacity		Bucket Weight		Bucket Dig Force (ISO)		Arm Dig Force (ISO)		Arm Dig Force (ISO)		Bucket Tip Radius		Number of Teeth
	mm	in.	m <sup>3</sup>	cu. yd.	kg	lb.	kN	lb.	1.62 m (5 ft. 4 in.)	2.12 m (6 ft. 11 in.)	kN	lb.	mm	in.	
Heavy Duty	610	24	0.24	0.31	268	591	44	9,892	34	7,545	29	6,524	883	34.76	5
	762	30	0.31	0.41	313	691	44	9,892	34	7,545	29	6,524	883	34.76	6
	914	36	0.39	0.51	358	790	44	9,892	34	7,545	29	6,524	883	34.76	7
Ditching	1219	48	0.49	0.64	330	727	64	14,344	40	8,911	33	7,473	907	35.69	0

**Bucket Selection Guide\***



\*Contact your John Deere dealer for optimum bucket and attachment selections. These recommendations are for general conditions and average use. Does not include optional equipment such as thumbs or couplers. Larger buckets may be possible when using light materials, for flat and level operations, less compacted materials, and volume loading applications such as mass-excavation applications in ideal conditions. Smaller buckets are recommended for adverse conditions such as off-level applications, rocks, and uneven surfaces. Bucket capacity indicated is SAE heaped.